

Washer

Use & Care Guide

Table of Contents



Safety 1-2



Operating Tips 3

Detergent
Loading
Additional Tips



Using the Controls 4-6

Select Water Level
Extra Rinse
Select Wash/Rinse Temperature
Select Wash/Spin Speed
Signal – End of Cycle
Select Cycle
Pull Control Dial Out to Start



Special Features 7

Bleach Dispenser
Fabric Softener Dispenser
Finger Faucet



Care & Cleaning 8



Storing the Washer 8



Troubleshooting 9-10



Service & Warranty 11

**Guide d'utilisation
et d'entretien** 12

Guía de uso y cuidado 24



Safety

Installer: Please leave this manual with this appliance.

Consumer: Please read and keep this manual for future reference. Keep sales receipt and/or canceled check as proof of purchase.

Model Number _____

Serial Number _____

Date of Purchase _____

If you have questions, call:

Maytag Customer Assistance
1-800-688-9900 U.S.A.
1-800-688-2002 Canada
(Mon.-Fri., 8am-8pm Eastern Time)
Internet: <http://www.maytag.com>

U.S. Customers using TTY for deaf, hearing impaired or speech impaired, call 1-800-688-2080.

In our continuing effort to improve the quality and performance of our appliances, it may be necessary to make changes to the appliance without revising this guide.

For service information, see page 11.

What You Need to Know About Safety Instructions

Warning and Important Safety Instructions appearing in this manual are not meant to cover all possible conditions and situations that may occur. Common sense, caution and care must be exercised when installing, maintaining or operating appliance.

Always contact your dealer, distributor, service agent or manufacturer about problems or conditions you do not understand.

Recognize Safety Symbols, Words, Labels

WARNING

WARNING – Hazards or unsafe practices which **COULD** result in severe personal injury or death.

CAUTION

CAUTION – Hazards or unsafe practices which **COULD** result in minor personal injury.

WARNING

To reduce the risk of fire, explosion, electric shock, or personal injury when using your washer, follow basic safety precautions, including the following:

1. Read all instructions before using the appliance.
2. As with any equipment using electricity and having moving parts, there are potential hazards. To use this appliance safely, the operator should become familiar with the instructions for operation of the appliance and always exercise care when using it.
3. Do not install or store this appliance where it will be exposed to the weather.
4. Install and level washer on a floor that can support the weight.
5. This appliance must be properly grounded. Never plug the appliance cord into a receptacle which is not grounded adequately and in accordance with local and national codes. See installation instructions for grounding this appliance.
6. To avoid the possibility of fire or explosion:
 - a. Do not wash items that have been previously cleaned in, washed in, soaked in, or spotted with gasoline, dry-cleaning solvents, other flammable or explosive substances as they give off vapors that could ignite or explode. Hand wash and line dry any items containing these substances.

Any material on which you have used a cleaning solvent, or which is saturated with flammable liquids or solids, should not be placed in the washer until all traces of these liquids or solids and their fumes have been removed.

These items include acetone, denatured alcohol, gasoline, kerosene, some liquid household cleaners, some spot removers, turpentine, waxes and wax removers.
 - b. Do not add gasoline, dry-cleaning solvents, or other flammable or explosive substances to the wash water. These substances give off vapors that could ignite or explode.
 - c. Under certain conditions, hydrogen gas may be produced in a hot water system that has not been used for two weeks or more. **HYDROGEN GAS IS EXPLOSIVE.** If the hot water system has not been used for such a period, before using a



Safety

washing machine or combination washer-dryer, turn on all hot water faucets and let the water flow from each for several minutes. This will release any accumulated hydrogen gas. As the gas is flammable, do not smoke or use an open flame during this time.

7. Do not reach into the appliance if the tub or agitator is moving.
8. Do not allow children or pets to play on, in, or in front of the appliance. Close supervision is necessary when the appliance is used near children and pets.
9. Do not tamper with controls.
10. Do not repair or replace any part of the appliance or attempt any servicing unless specifically recommended in published user-repair instructions that you understand and have the skills to carry out.
11. Unplug power supply cord before attempting to service your washer.
12. The agitator should not be removed. If the agitator is removed, it must be replaced by pushing down completely and the locking screw tightened before the washer is operated.
13. Store laundry aids and other material in a cool, dry place where children cannot reach them.
14. Do not wash or dry items that are soiled with vegetable or cooking oil. These items may contain some oil after laundering. Due to the remaining oil, the fabric may smoke or catch fire by itself.
15. Do not use chlorine bleach and ammonia or acids (such as vinegar or rust remover) in the same wash. Hazardous fumes can form.
16. Do not machine wash fiberglass materials. Small particles can stick to fabrics washed in following loads and cause skin irritation.
17. Before the appliance is removed from service or discarded, remove the door to the washing compartment.
18. Inlet hoses are subject to damage and deterioration over time. Check the hoses periodically for bulges, kinks, cuts, wear or leaks and replace them every five years.

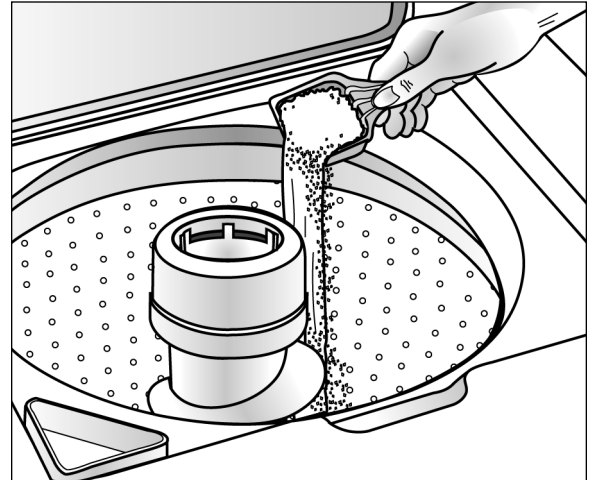
SAVE THESE INSTRUCTIONS



Operating Tips

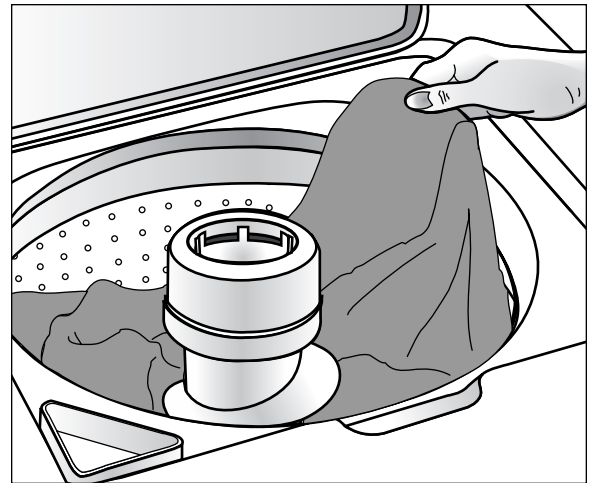
Detergent

- Use either liquid or granular laundry detergent. **For best results, be sure detergent is added to the washer BEFORE the load and be sure the wash water is above 60° F.**
- Use the correct amount of detergent for the load size, soil level and water conditions. Use more detergent if you have hard water and very soiled loads.
If you have soft water or a lightly soiled load, use less detergent. (See manufacturer's instructions.)
- Wipe up any detergent spills on the washer.



Loading

- Put dry, unfolded clothes loosely in the tub, up to the top row of holes for a maximum load.
- Do not wrap large items like sheets around the agitator.
- Mix large and small items for best circulation. Wash bulky items like blankets separately.
- When laundering wrinkle free items or items of delicate construction, washable woolens or loosely knit items, never use less than the MEDIUM water level setting. This will minimize shrinkage, wrinkling and pulling of seams.
- For best results add the detergent to the washtub before adding the load.
- Close lid carefully to avoid slamming.



Additional Tips

- During the spin, it is possible for the load to become unevenly distributed in the tub. If this happens, push in the control knob, open the lid, redistribute the load, close the lid and pull out the control knob. The spin will resume at the point it was interrupted.
- The washer will pause briefly throughout each cycle. These pauses are normal.
- This washer is designed so that it will not spin or agitate when the lid is open. It will, however, fill with the lid open so water is available for pretreating stains or diluting fabric softener.
- If you open the lid during a spin cycle, the washer will stop. When the lid is closed and the control dial pulled out, the washer will continue the cycle at the point it was interrupted.

For detailed information on sorting, pretreating stains, etc., see the enclosed *Laundering Tips* brochure.



Using the Controls

Control features vary by model.

STEP 1

Select Water Level

Determine the selected setting based on clothes load size.

On select models, the infinite control allows you to select a specific setting or anywhere in between.

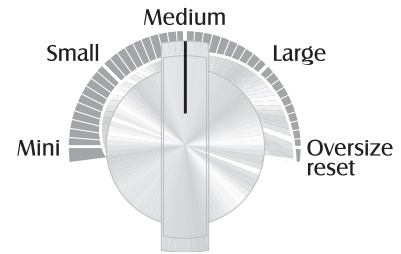
It may become necessary, due to bulky fabrics, to adjust the water level after agitation begins. To adjust the water level, turn the control to **reset** and then back to the desired setting.

WATER LEVEL SETTING	LOAD SIZE
Mini (select models)	1/4 Full
Small	1/4 - 1/3 Full
Medium	1/3 - 1/2 Full
Large	1/2 - 3/4 Full
Oversize	3/4 Full - Full

Note

- Items must circulate freely for best results.

Infinite Water Level



Extra Rinse



STEP 2

Extra Rinse (select models)

(if desired)

Provides an additional rinse near the end of the cycle to more completely remove laundry additives, perfumes, etc.

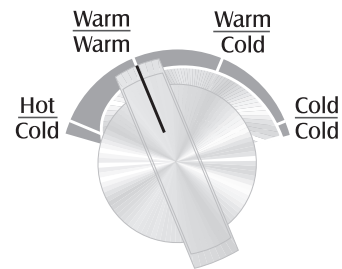
STEP 3

Select Wash/Rinse Temperature

Your washer provides you with a choice of hot, warm or cold water for washing and cold or warm water (select models) for rinsing.

Automatic Temperature Control (select models) provides the optimal wash water temperature for cleaning. To save energy, this washer will regulate wash water temperatures by mixing hot and cold water to reach the proper water temperature.

Wash/Rinse Temp



cont.

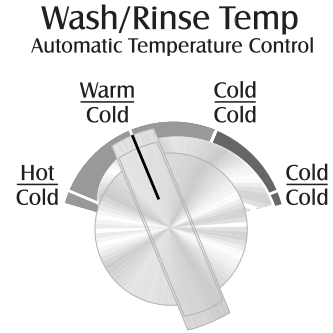


Using the Controls

STEP 3 (cont.)

Control features vary by model.

WASH/RINSE TEMPS	LOAD TYPE
Hot/Cold	White and heavily soiled, color-fast items
Warm/Warm	Moderately soiled, colored items
Warm/Cold	Moderately soiled, colored items; most wrinkle-free items
Cold/Cold	Brightly colored, lightly soiled items; washable woolens
These settings feature Automatic Temperature Control:	
ATC Hot/Cold, ATC Warm/Cold	Saves energy by adding cold water to the hot water from your water heater. Provides optimum cleaning at lower temperatures.
ATC Cold/Cold	May add hot water to the incoming cold water as the washer fills. This assures that the water will be warm enough to properly activate detergent.



Note

- In wash water temperatures below 60° F, detergents do not dissolve well or clean well.

STEP 4

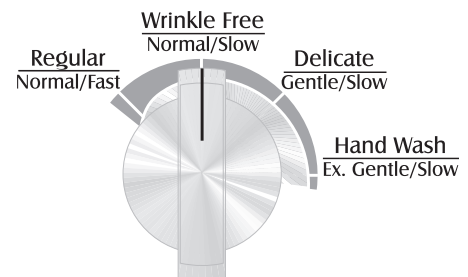
Select Wash/Spin Speed

(select models)

Some washer models have selectable wash and spin speed combinations.

WASH/SPIN SPEEDS	LOAD TYPE
Regular Normal/Fast	Sturdy fabrics needing maximum water extraction like jeans, towels and bedding
Wrinkle Free Normal/Slow	Sturdy fabrics needing a slower spin speed to reduce wrinkling, such as dress shirts and dress pants
Delicate Gentle/Slow	Delicate fabrics needing slower spin speed because of clothing construction
Hand Wash Ex. Gentle/Slow	Intermittent slow agitation and soak to gently wash the most delicate items

Wash/Spin Speed



Model SAV205D

- The wash/spin speeds are automatically programmed to assure proper agitation and spinning for each load type. **REGULAR** cycles will provide a normal/fast wash/spin speed. **WRINKLE FREE FABRICS** will have a normal/slow wash/spin speed along with a cool-down spray rinse. **DELICATES** cycle will have a gentle wash and slow final spin speed.



Using the Controls

STEP 5

Signal – End of Cycle

(select models)

The end of cycle signal will sound once the cycle is completed.



STEP 6

Select Cycle

To select a cycle, push the control dial IN and turn until the pointer is at the soil level needed for the wash load.

Handwash Cycle (select models)

Intermittent slow agitation and soak for delicate fabrics needing slow spin speed because of clothing construction.

LIGHT: approximately 9 minutes of agitation and soak.

EXTRA LIGHT: approximately 3 minutes of agitation and soak.

Delicates Cycle

Delicates is designed for items requiring delicate wash action and uses the following settings:

NORMAL: approximately 9 minutes of wash time.

LIGHT: approximately 6 minutes of wash time.

STEP 7

Pull Control Dial Out to Start

You may stop the washer at any time by simply pushing the control dial IN. Therefore it is possible to obtain a non-agitated soak or to shorten, skip or repeat any part of a cycle. The control dial must be pushed IN (off position) when you change the setting.



Regular Cycle

Regular Cycle is used for normal, sturdy fabrics and uses the following settings:

PREWASH (select models): adds approximately 6 minutes of wash time.

EXTRA HEAVY: approximately 18 minutes of wash time.

HEAVY: approximately 15 minutes of wash time.

NORMAL: approximately 12 minutes of wash time.

LIGHT: approximately 9 minutes of wash time.

Soak Only (select models)

Provides 9 minutes of agitation and soak. **Avoid extended soaking – soak for 30 minutes or less.** The control dial must be manually advanced to a spin setting to spin and drain the water.

Wrinkle Free Fabrics

This cycle is designed for sturdy fabrics needing a slower spin speed to reduce wrinkling, such as dress shirts and dress pants.

NORMAL: approximately 12 minutes of wash time.

LIGHT: approximately 9 minutes of wash time.

EXTRA LIGHT: approximately 6 minutes of wash time.

See *Laundering Tips* for proper washing procedures, stain removal, and special laundering situations.

Special Features

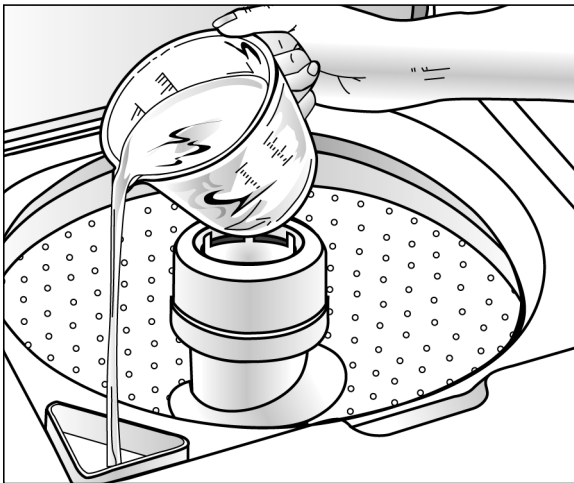
Bleach Dispenser

The dispenser automatically dilutes liquid chlorine bleach before it reaches your wash load. To use, follow these steps:

1. Measure liquid chlorine bleach carefully, following the instructions on the bottle.
2. Add the bleach to the dispenser before adding the load. Avoid splashing or over-filling the dispenser.

Note

- Never pour undiluted liquid chlorine bleach directly onto the load or into the wash tub. It is a powerful chemical and can cause fabric damage, such as tearing or color loss, if not used properly.
- If you prefer to use color-safe, non-chlorine bleach, pour it into the wash tub with your detergent. Do not pour non-chlorine bleaches into the bleach dispenser.



Pour liquid chlorine bleach into bleach dispenser.

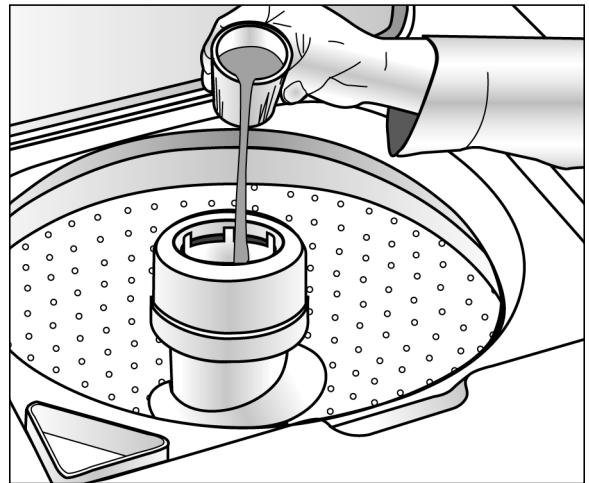
Fabric Softener Dispenser

This dispenser automatically releases liquid fabric softener at the proper time during the cycle. To use, follow these steps:

1. Pour a measured amount of fabric softener into the dispenser to fill line only.
2. If liquid comes below line, add warm water.

Note

- Do not stop the washer during the first spin. This will cause the dispenser to empty too soon.
- Never pour fabric softener directly on the load. It will leave spots and stains.
- Use the dispenser for liquid fabric softeners only.



Pour liquid fabric softener into cup and dilute with warm water.

Finger Faucet (select models)

Provides a flow of water when holding the switch in the "On" position.





Care & Cleaning

Turn off the water faucets after finishing the day's washing. This will shut off the water supply to the washer and prevent the unlikely possibility of damage from escaping water.

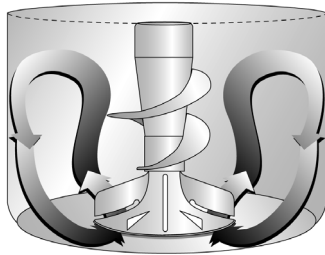
Use a soft cloth to wipe up all detergent, bleach or other spills as they occur.

Clean the following as recommended:

Control Panel – clean with a soft, damp cloth and glass cleaner. Do not use abrasive powders or cleaning pads.

Cabinet – clean with soap and water followed with an appliance wax, if desired.

Lint Filter – it is self-cleaning and requires no maintenance. The filter is located under the agitator on the bottom of the washtub. During the wash and rinse portion of the cycle, lint is collected on the filter. Then during the spin and drain the filter is cleaned automatically.

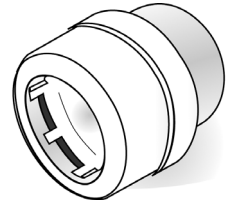


Fabric Softener Dispenser

If it is necessary to clean the dispenser:

1. Pull the dispenser off of the top of the agitator.
2. Soak for one hour in sink or container in hot water and dishwashing liquid.
3. Hold hands over top and bottom of dispenser and shake to loosen buildup.

4. Rinse with clean, hot water.
5. Repeat process if necessary.
6. Replace dispenser on agitator.



Do not use dishwashing liquid inside the washer. Oversudsing can occur.

Interior – hard water deposits may be removed, if needed, using a recommended cleaner labeled washer safe.

The interior of the washer should be cleaned periodically to remove dirt, soil, odor or bacteria residue that may remain in the washer as a result of washing clothes. We recommend taking the following steps every 60 to 120 days to clean and freshen your washer interior. The frequency with which the washer should be cleaned and freshened depends on factors such as usage, the amount of dirt, soil or bacteria being run through your washer, or the use of cold water.

To clean and freshen the washer interior:

1. Add a measured amount of chlorine bleach to the bleach dispenser, following package directions.
2. Add 1/4 cup of detergent to the tub.
3. Run the washer through a complete cycle using hot water.
4. Repeat the process if necessary.



Storing the Washer

Washers can be damaged if water is not removed from hoses and internal components before storage. Prepare the washer for storage as follows:

- Select Regular, Light, and add one cup of chlorine bleach OR white vinegar to a full load of water without clothes. Run the washer through a complete cycle.

- Turn the water faucets off and disconnect the inlet hoses.
- Advance the cycle control knob to Spin and lower the drain hose to eliminate any water that may be in the drain hose.
- Disconnect the washer from the electrical supply and leave the washer lid open to let air circulate inside the tub.

⚠ CAUTION

- Do not mix bleach and vinegar in the same wash. Hazardous fumes can form.

Troubleshooting

For problem laundry solutions (i.e. fabric damage, residue, tangling) and special laundry care procedures, see the enclosed *Laundering Tips* brochure.

<p>Won't Fill</p>	<ul style="list-style-type: none"> • Plug cord into live electrical outlet. • Check fuse or reset circuit breaker. • Turn the control knob to proper cycle and pull knob out to start the washer. • Turn both faucets on fully. • Straighten inlet hoses. • Disconnect hoses and clean screens. Hose filter screens may be plugged.
<p>Won't Agitate</p>	<ul style="list-style-type: none"> • Check fuse or reset circuit breaker. • Make sure the lid is completely closed. • Turn the control knob to proper cycle and pull knob out to start the washer. • Close lid and pull knob out to start the washer. For your safety, washer will not agitate or spin unless the lid is closed. • Pauses are normal. Wait and see if the washer will start again.
<p>Won't Spin or Drain</p>	<ul style="list-style-type: none"> • Check fuse or reset circuit breaker. • Straighten drain hoses. Eliminate kinked hoses. If there is a home drain restriction, call for drain service. • Close lid and pull knob out to start the washer. For your safety, washer will not agitate or spin unless the lid is closed. • If drain height is over 15 feet, water may not be completely removed. • Suds lock – caused by too much suds. Rewash without detergent. Use correct amount of a low-sudsing detergent.
<p>Load is Wet</p>	<ul style="list-style-type: none"> • Unevenly distributed load. Redistribute the load, close the lid and pull knob out. Check for leveling. Be sure water level is acceptable for load size. • A fast spin speed is recommended for heavy loads like jeans or towels, or if the drain height is over six feet.
<p>Stops</p>	<ul style="list-style-type: none"> • Plug cord into live electrical outlet. • Check fuse or reset circuit breaker. • Turn the control knob to proper cycle and pull knob out to start the washer. • Close lid and pull knob out to start the washer. For your safety, washer will not agitate or spin unless lid is closed. • This may be a pause or soak period in the cycle. Wait briefly and it may start.
<p>Leaks Water</p>	<ul style="list-style-type: none"> • Make sure hose connections are tight. • Make sure end of drain hose is correctly inserted and secured to drain facility. • Avoid extended soaking – soak for 30 minutes or less. • Avoid overloading.
<p>Is Noisy</p>	<ul style="list-style-type: none"> • Be sure washer is leveled properly as outlined in installation manual. • Weak floors can cause vibration and walking. • Be sure rubber feet are installed on leveling legs. • Operating sounds will vary depending on agitation speed.

Troubleshooting

Fills with the Wrong Temperature Water	<ul style="list-style-type: none">• Turn both faucets on fully.• If equipped with a temperature selector knob, be sure it is set directly on a temperature setting and not between settings.• Make sure temperature selection is correct.• While the washer is filling, you may notice just hot and/or just cold water entering the tub when cold or warm wash temperatures are selected. This is a normal function of the automatic temperature control feature as the washer determines the temperature of the water.• If Auto Temperature Control (select models) is selected, cold water may feel warmer than cold water from the tap. (See page 4).• Make sure hoses are connected to correct faucets and inlet connections. Be sure water supply is regulated correctly. Flush water line before filling washer.• Check the water heater. It should be set to deliver a minimum 120° F (49° C) hot water at the tap. Also check water heater capacity and recovery rate.• Disconnect hoses and clean screens. Hose filter screens may be plugged.
Cycle Selector Advances Through Off	<ul style="list-style-type: none">• Extra Rinse (select models) is selected.

***For further assistance contact Maytag ServicesSM, Maytag Customer Assistance:
U.S. 1-800-688-9900 or Canada 1-800-688-2002.
U.S. Customers using TTY for deaf, hearing impaired or speech impaired, call 1-800-688-2080.***



Service & Warranty

Washer Warranty

Full One-Year Warranty

For one (1) year from the date of original retail purchase, any part which fails in normal home use will be repaired or replaced free of charge.

Limited Warranty

After the first year from date of original retail purchase, through the time periods listed below, the parts designated below which fail in normal home use will be repaired or replaced free of charge for the part itself, with the owner paying all other costs, including labor, mileage, transportation, trip charge and diagnostic charge, if required.

Second Year – All parts.

Third Through Fifth Year – The drive motor. All parts of solid state controls (if so equipped).

Third Through Tenth Year – All parts of the transmission assembly.

Third Through Lifetime – The inner wash basket.

Additional Limited Warranty Against Rust-Through –

Should an exterior cabinet, including the door, rust through during the one-year period starting from the date of retail purchase, repair or replacement will be made free of charge. After the first and through the tenth year, repair or replacement will be made free of charge for the part itself, with the owner paying all other costs, including labor, mileage, transportation, trip charge and diagnostic charge, if required.

Please Note: This full warranty and the limited warranty apply when the washer is located in the United States or Canada. Washers located elsewhere are covered by the limited warranty only, including parts which fail during the first two years.

Canadian Residents

This warranty covers only those appliances installed in Canada that have been listed with the Canadian Standards Association unless the appliances are brought into Canada due to transfer of residence from the United States to Canada.

The specific warranties expressed above are the ONLY warranties provided by the manufacturer. This warranty gives you specific legal rights, and you may also have other rights that vary from state to state.

Use & Care Guides, service manuals and parts catalogs are available from Maytag ServicesSM, Maytag Customer Assistance.

What is Not Covered By These Warranties:

1. Conditions and damages resulting from any of the following:
 - a. Improper installation, delivery or maintenance.
 - b. Any repair, modification, alteration, or adjustment not authorized by the manufacturer or an authorized servicer.
 - c. Misuse, abuse, accidents or unreasonable use.
 - d. Incorrect electric current, voltage or supply.
 - e. Improper setting of any control.
2. Warranties are void if the original serial numbers have been removed, altered or cannot be readily determined.
3. Products purchased for commercial or industrial use.
4. The cost of service or service call to:
 - a. Correct installation errors.
 - b. Instruct the user on the proper use of the product.
 - c. Transport the appliance to the servicer.
5. Consequential or incidental damages sustained by any person as a result of any breach of these warranties.

Some states do not allow the exclusion or limitation of consequential or incidental damages, so the above exclusion may not apply.

To Obtain Warranty Service

To locate an authorized service company in your area, contact the dealer from whom your appliance was purchased; or call Maytag ServicesSM, Maytag Customer Assistance. Should you not receive satisfactory warranty service, please call or write:

Maytag ServicesSM
 Attn: CAIR[®] Center
 P.O. Box 2370
 Cleveland, TN 37320-2370
U.S. 1-800-688-9900
Canada 1-800-688-2002
U.S. Customers using TTY for deaf, hearing impaired or speech impaired, call 1-800-688-2080.

Note

- When contacting Maytag ServicesSM, Maytag Customer Assistance about a service problem, please include the following:
 - a. Your name, address and telephone number;
 - b. Model number and serial number (found on the back center of the control panel) of your appliance;
 - c. Name and address of your dealer and the date the appliance was purchased;
 - d. A clear description of the problem you are having;
 - e. Proof of purchase.



Laveuse

Guide d'utilisation et d'entretien

Table des matières



Sécurité 13-14



Fonctionnement 15

Détergent
Chargement
Conseils supplémentaires



Employer les commandes .. 16-18

Sélection du niveau d'eau
Sélection de Extra Rinse
Sélection de la température de lavage/rinçage de l'eau
Sélectionner le cycle de lavage/d'essorage
Signal – fin de cycle
Sélection du cycle
Tirer le sélecteur pour mettre en marche



Caractéristiques spéciales .. 19

Distributeur de javellisant
Distributeur d'assouplissant
Finger Faucet (admission d'eau)



Entretien 20



Remisage de la machine à laver 20



Recherche des pannes .. 21-22



Garantie et service après-vente 23

Guía de uso y cuidado 24



Sécurité

Installateur : Veuillez laisser le présent guide avec l'appareil.

Client : Veuillez lire le présent guide et le conserver pour référence future. Conservez aussi les reçus de caisse et les chèques oblitérés à titre de preuve d'achat.

Numéro de modèle _____

Numéro de série _____

Date d'achat _____

Pour toute question, contacter :

Service-clients Maytag
1-800-688-2002 Canada
(Lundi au Vendredi, 8 h à 8 h, heure de l'Est)
Site Internet: <http://www.maytag.com>

En raison de nos efforts constante d'amélioration de la qualité de nos appareils électro-ménagers, il se peut qu'une machine à laver soit modifiée sans que le guide soit révisé.

Pour le service après-vente, voir page 23.

Ce qu'il faut savoir à propos des consignes de sécurité

Les consignes de sécurité et les mises en garde présentées dans ce manuel ne couvrent pas toutes les situations possibles. Faire preuve de jugement, de prudence et d'attention lors de l'installation, de l'entretien et de l'utilisation du propriétaire.

Lorsque survient un problème ou une situation inhabituelle, toujours communiquer avec le détaillant, le distributeur, le technicien agréé ou le fabricant.

Reconnaissez les étiquettes, phrases ou symboles sur la sécurité

AVERTISSEMENT

AVERTISSEMENT – Risques ou pratiques non sûres, qui **POURRAIENT** résulter en de graves blessures ou même la mort.

ATTENTION

ATTENTION – Risques ou pratiques non sûres qui **POURRAIENT** résulter en blessures mineures.

AVERTISSEMENT

Pour réduire les risques d'incendie, d'explosion, d'électrocution ou des blessures lors de l'utilisation de cet appareil, suivre les précautions d'usage, dont les suivantes :

1. Lire toutes les instructions avant d'utiliser la machine.
2. Comme avec tout équipement fonctionnant à l'électricité et comportant des pièces mobiles, il existe toujours des possibilités de danger. Pour utiliser cette machine dans les meilleures conditions de sécurité, l'opérateur doit se familiariser avec les instructions de fonctionnement de l'appareil et user de prudence pendant son utilisation.
3. Ne pas installer ni remiser la machine dans un endroit où elle est exposée aux intempéries.
4. Installer la machine et la mettre de niveau sur un plancher pouvant supporter son poids.
5. Cet appareil doit être correctement mis à la terre. Ne jamais brancher le câble électrique d'une machine à laver sur une prise murale non mise à la terre conformément aux codes locaux et nationaux. Voir les instructions d'installation pour la mise à la terre de cette machine.
6. Pour éviter les risques d'incendie ou d'explosion :
 - a. Ne pas laver d'articles qui ont auparavant été nettoyés ou lavés à l'aide d'essence, de solvants de nettoyage à sec ou d'autres produits explosifs ou inflammables, ou qui en sont imbibés ou éclaboussés, car ces substances produisent des vapeurs qui peuvent s'enflammer ou exploser. Laver à la main et sécher à l'air tout article contenant ces substances.

Tout tissu sur lequel des solvants de nettoyage ont été utilisés ou qui sont saturés de liquides ou solides inflammables ne doit pas être mis dans la machine à laver avant que toute trace et toute vapeur de ces liquides ou solides ne soient complètement éliminées.

Ces produits comprennent l'acétone, l'alcool dénaturé, l'essence, le kérosène, certains produits de nettoyage ménagers, les détachants, la térébenthine, les cires et les décapants de cire.
 - b. Ne pas ajouter d'essence, de solvants de nettoyage à sec ou toute autre substance inflammable ou explosive à l'eau de lavage. Ces substances produisent des vapeurs qui pourraient s'enflammer ou exploser.
 - c. Dans certaines conditions, il peut y avoir production d'hydrogène dans un système de chauffage d'eau qui n'est pas utilisé pendant 2 semaines ou plus.
L'HYDROGÈNE EST UN EXPLOSIF. Si votre système



Sécurité

de chauffage d'eau n'est pas utilisé sur une telle durée, ouvrir tous les robinets d'eau chaude et laisser couler l'eau pendant plusieurs minutes avant d'utiliser votre machine à laver ou votre ensemble machine à laver-sècheuse. Ceci élimine toute accumulation d'hydrogène. Ce gaz étant inflammable, ne pas fumer ni utiliser de flamme vive pendant ces quelques minutes.

7. Ne pas mettre la main ou le bras dans la machine si l'agitateur ou cuve est en mouvement.
8. Ne pas permettre aux enfants ou aux animaux familiers de jouer sur l'appareil, à l'intérieur ou en face de celui-ci. Une supervision étroite est nécessaire lorsque l'appareil est utilisé à proximité d'enfants ou d'animaux familiers.
9. Ne pas modifier les mécanismes de commande.
10. Ne pas réparer ou remplacer une pièce de la machine ou procéder à un dépannage, sauf si les instructions publiées le recommandent et que la personne effectuant la réparation les comprend et possède les connaissances voulues pour les exécuter.
11. Débrancher la machine de la prise de courant avant toute réparation.
12. L'agitateur ne doit pas être retiré. S'il est retiré, le replacer en l'enfonçant à fond, puis serrer la vis de blocage avant de faire fonctionner la machine.
13. Mettre les produits pour la lessive et autres substances dans un endroit frais et sec où les enfants n'ont pas accès.
14. Ne pas laver ni sécher des articles imprégnés d'huile végétale ou de cuisson. Il pourrait y rester de l'huile après lavage, et ils pourraient fumer ou s'enflammer.
15. Ne pas mélanger de javellisant et d'ammoniaque ou d'acides (tels que du vinaigre ou du produit pour enlever la rouille) pour une même charge de linge. Des vapeurs nocives peuvent se former.
16. Ne pas laver d'articles en fibre de verre à la machine. De petites particules peuvent se coller sur le linge lavé par la suite et provoquer des irritations cutanées.
17. Avant de mettre la machine hors service ou au rebut, retirer la porte du compartiment de lavage.
18. Les tuyaux d'alimentation se détériorent progressivement. Inspecter les tuyaux à intervalle régulier; rechercher dilatations, écrasements, coupures, fuites et indices d'usure. Remplacer les tuyaux après 5 ans de service.

CONSERVER CES INSTRUCTIONS

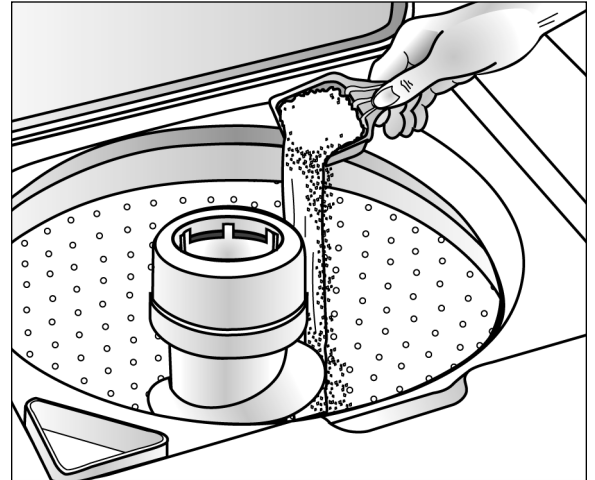


Fonctionnement

Détergent

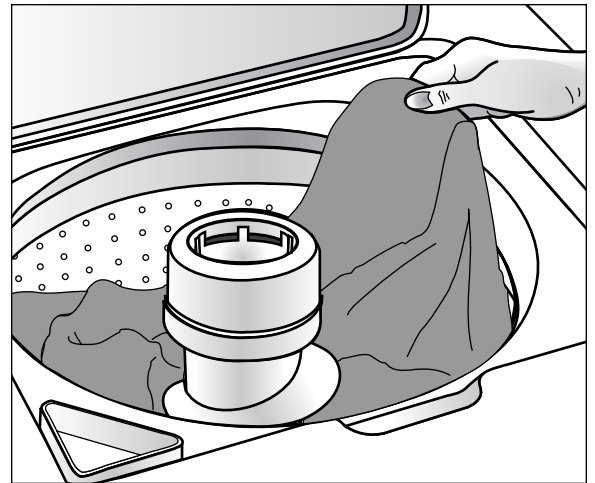
- Utiliser du détergent liquide ou en poudre. **Pour des résultats optimums, ajouter suffisamment de détergent dans la machine AVANT de la remplir et régler la température de l'eau à plus de 15,5° C (60° F).**
- Utiliser la quantité de détergent qui convient à la charge, au degré de saleté et à la dureté de l'eau. Utiliser plus de détergent si l'eau est dure et que la charge est très sale.

Si l'eau est douce ou que la charge est peu sale, utiliser moins de détergent. (Voir les instructions du fabricant.)
- Essuyer la machine si elle se trouve éclaboussée de détergent.



Chargement

- Mettre le linge sec, non plié sans le tasser dans la machine, en remplissant le panier jusqu'au rang supérieur de trous pour une charge maximum.
- Ne pas enrouler de grands articles tels que des draps autour de l'agitateur.
- Pour une meilleure circulation, mélanger les petits et les grands articles. Laver les articles volumineux comme les couvertures séparément.
- Lors du lavage d'articles infroissables, fragiles, de lainages lavables ou d'articles en tricot à mailles lâches, ne jamais utiliser un niveau d'eau inférieur au réglage MEDIUM (moyen). Ils auront moins tendance à rétrécir, à se froisser et les coutures tiendront mieux.
- Pour des résultats optimums, mettre du détergent dans la cuve avant d'ajouter le linge.
- Refermer soigneusement le couvercle pour qu'il ne claque pas.



Conseils supplémentaires

- Il est possible pour la charge peut être déséquilibrée pendant l'essorage. Si cela se produit, pousser sur le sélecteur, ouvrir le couvercle, rééquilibrer la charge, fermer le couvercle et tirer sur le sélecteur. L'essorage reprend au point où il s'était interrompu.
- Cette machine effectue des pauses à plusieurs reprises au cours d'un cycle de lavage. Ces pauses momentanées font partie de son fonctionnement normal.
- Cette machine à laver est conçue de telle façon que tout essorage ou agitation s'arrête quand le couvercle est soulevé. Elle ne s'arrête cependant pas pendant le remplissage, permettant l'accès à l'eau pour prétraiter les taches ou diluer l'assouplisseur.

- Si le couvercle est ouvert au cours d'un cycle, la machine s'arrête. Une fois le couvercle fermé et le sélecteur tiré, le cycle reprend là où il avait été interrompu.

Pour de plus amples renseignements concernant le triage, le pré-traitement des taches, etc., consulter le *Conseils de blanchissage inclus*.



Employer les commandes

Les caractéristiques des commandes et le style varient selon le modèle.

ÉTAPE 1

Sélection du niveau d'eau

Régler le sélecteur sur le réglage correspondant à la grosseur de la charge.

Sur certains modèles, le bouton de sélection permet de sélectionner tout niveau d'eau (variation infinie).

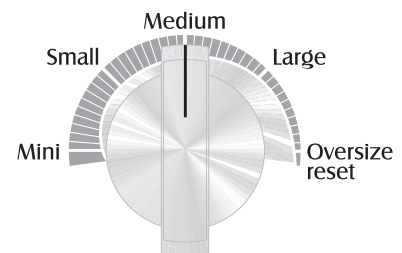
Il peut s'avérer nécessaire, en raison de l'épaisseur de certains tissus, de régler le niveau d'eau après le début de l'agitation. Pour régler le niveau d'eau, placer le sélecteur sur la position **reset** (nouveau réglage), puis le positionner en face de la quantité d'eau désirée.

RÉGLAGE DU NIVEAU D'EAU	GROSSEUR DE LA CHARGE
Mini (mini) (certains modèles)	1/4 plein
Small (bas)	1/4 - 1/3 plein
Medium (moyen)	1/3 - 1/2 plein
Large (élevé)	1/2 - 3/4 plein
Oversize (grande)	3/4 plein - plein

Remarque

- Pour des résultats optimaux, le linge doit circuler librement.

Infinite Water Level



Extra Rinse



ÉTAPE 2

Sélection de Extra Rinse (certains modèles) (rinçage supplémentaire)

Supplémentaire rinçage à la fin du programme pour l'élimination plus complète des additifs de lavage et parfums.

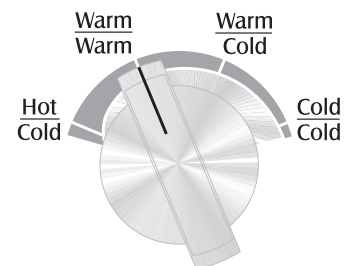
ÉTAPE 3

Sélection de la température de lavage/rinçage de l'eau

La température de lavage de l'eau peut être chaude, tiède ou froide, tandis que la température de rinçage de l'eau froide ou tiède (certains modèles).

Automatic Temperature Control [(la commande automatique de température) (certains modèles)] établit la température de lavage optimale. Pour économiser l'énergie, cette laveuse module les températures de l'eau de lavage en mélangeant l'eau froide et l'eau chaude afin d'obtenir la température appropriée de l'eau.

Wash/Rinse Temp



suite

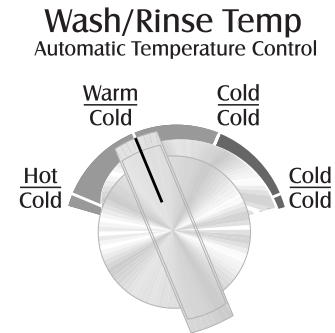


Employer les commandes

ÉTAPE 3 (suite)

Les caractéristiques des commandes et le style varient selon le modèle.

TEMPÉRATURE LAVAGE/RINÇAGE	TYPE DE CHARGE
Hot/Cold (chaud/froid)	Blanc très sale et couleurs bon teint
Warm/Warm (tiède/tiède)	Linge modérément sale, articles de couleur
Warm/Cold (tiède/froid)	Linge modérément sale, articles de couleur ; la plupart des articles à pli permanent
Cold/Cold (froid/froid)	Articles aux couleurs vives, peu sales ; lainages lavables
Réglage par le système de commande automatique de température :	
ATC Hot/Cold, ATC Warm/Cold (CAT Eau chaude/Eau froide, Eau tiède/Eau froide)	Économise de l'énergie en ajoutant de l'eau froide à de l'eau chaude à partir du chauffe-eau. Donne un lavage optimal à des températures
ATC Cold/Cold (CAT Eau froide/ Eau froide)	De l'eau chaude peut être ajoutée à l'eau froide lors du remplissage de la laveuse. Ceci assure que l'eau sera suffisamment tiède pour bien activer le détergent.



Remarque

- À moins de 15,5° C, (60° F), l'eau est trop froide pour dissoudre les détergents en poudre et les activer.

ÉTAPE 4

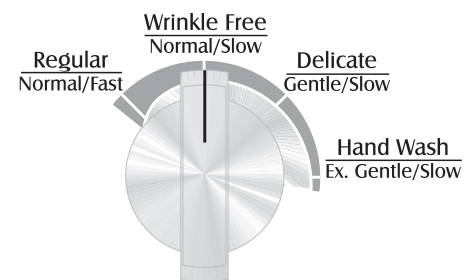
Sélectionner le cycle de lavage/d'essorage

(certains modèles)

La machine est programmée pour effectuer combinaisons de vitesse de lavage et d'essorage.

VITESSES DE LAVAGE/ESSORAGE	TYPE DE CHARGE
Regular Normal/Fast normal normale/rapide	Tissus robustes nécessitant un essorage maximum : jeans, serviettes, articles de literie
Wrinkle Free Normal/Slow tissus à pli permanent normale/lente	Tissus robustes nécessitant un essorage à moindre vitesse qui minimisera le froissement : chemises, pantalons élégants
Delicate Gentle/Slow déliçats douce/lente	Tissus fragiles, couvertures ou draps nécessitant une attention particulière
Hand Wash Ex. Gentle/Slow lavage manuel extra-douce/lente	Action intermittente d'agitation lente et de trempage pour les tissus déliçats

Wash/Spin Speed



Modèle SAV205D

- Les vitesses de lavage et d'essorage sont automatiquement programmées pour assurer la vitesse d'agitation et d'essorage voulue pour chaque type de linge. Les cycles **REGULAR** (tissus ordinaires) ont une vitesse d'agitation/essorage normal/rapide. Le cycle **WRINKLE FREE FABRICS** (tissus à pli permanent) ont une vitesse de lavage/essorage normal/lente et un rinçage de refroidissement par jet d'eau froide. Le cycle **DELICATES** (tissus déliçats) aura un lavage doux et une vitesse lente au dernier essorage.



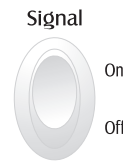
Employer les commandes

ÉTAPE 5

Signal – fin de cycle

(certains modèles)

Le signal sonore de fin de cycle est émis une fois après l'achèvement du cycle.



Regular (tissus ordinaires)

S'utilise pour le linge normalement sale, les tissus épais. Cycles disponibles :

PREWASH (pré lavage) (certains modèles) : ajoute approximativement 6 minutes de temps de lavage.

EXTRA HEAVY (extra-robuste) : durée de lavage d'environ 18 minutes.

HEAVY (linge très sale) : durée de lavage d'environ 15 minutes.

NORMAL (normal) : durée de lavage d'environ 12 minutes.

LIGHT (linge peu sale) : durée de lavage d'environ 9 minutes.

Soak Only (trempage seulement)

(certains modèles)

Période d'agitation puis trempage.

Éviter un trempage prolongé – ne pas dépasser 30 minutes. Pour commander la vidange de l'eau et l'essorage, on doit sélectionner ensuite manuellement une opération d'essorage.

Wrinkle Free Fabrics

(pour tissus à pli permanent)

Pour tissus robustes nécessitant un essorage à moindre vitesse qui minimise le froissement : chemises et pantalons habillés.

NORMAL (normal) : durée de lavage d'environ 12 minutes.

LIGHT (linge peu sale) : durée de lavage d'environ 9 minutes.

EXTRA LIGHT (extra-léger) : durée de lavage d'environ 6 minutes.

ÉTAPE 6

Sélection du cycle

Pour sélectionner un cycle, pousser sur le sélecteur et le tourner jusqu'à ce que la flèche soit vis-à-vis le niveau de sol requis.

Handwash (lavage manuel)

(certains modèles)

Action intermittente d'agitation lente et de trempage pour les tissus délicats nécessitant un essorage à basse vitesse du fait de leur composition.

LIGHT (linge peu sale)

durée d'agitation et de trempage d'environ 9 minutes.

EXTRA LIGHT (extra-léger)

durée d'agitation et de trempage d'environ 3 minutes.

Delicates Cycle

(articles fragiles)

Convient aux articles qui exigent un lavage doux. Cycles disponibles :

NORMAL (normal) : durée de lavage d'environ 9 minutes.

LIGHT (linge peu sale) : durée de lavage d'environ 6 minutes.



ÉTAPE 7

Tirer le sélecteur pour mettre en marche

La machine peut être arrêtée à tout moment en poussant sur le sélecteur. Il est alors possible d'obtenir un trempage sans agitation ou de raccourcir, sauter ou répéter toute partie d'un cycle. Le sélecteur doit être enfoncé (position « off ») lorsque le réglage est modifié.

Pour des renseignements détaillés sur le triage, le prétraitement des taches, etc., voir le livret « *Conseils de blanchissage* » inclus avec la machine à laver.



Caractéristiques spéciales

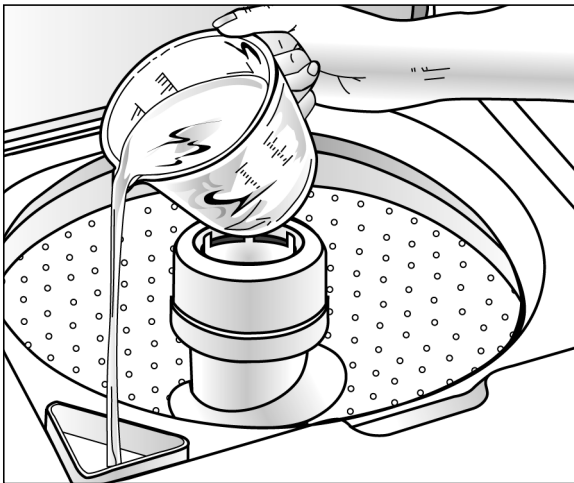
Distributeur de javellisant

Le distributeur dilue automatiquement le javellisant liquide avant qu'il atteigne le linge. Pour l'utiliser, procéder comme suit :

1. Mesurer la quantité de javellisant liquide avec soin en suivant les instructions sur le récipient.
2. Verser le javellisant dans le distributeur avant d'ajouter le linge. Éviter les éclaboussures ou le débordement du distributeur.

Remarque

- Ne jamais verser de javellisant liquide non dilué directement sur le linge ou dans la cuve. Ce produit chimique est puissant et peut endommager les tissus, en les déchirant ou décolorant, s'il n'est utilisé correctement.
- Lorsqu'un javellisant sans chlore et sans danger pour les couleurs est utilisé, le verser dans la cuve avec le détergent. Ne pas verser de javellisant sans chlore dans le distributeur de javellisant.



Verser le javellisant liquide dans le distributeur de javellisant.

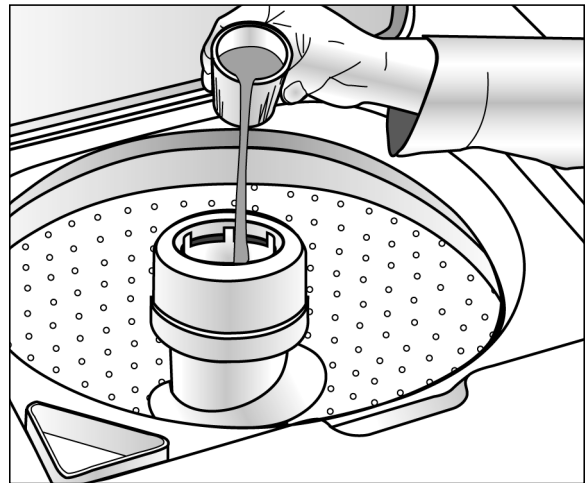
Distributeur d'assouplissant

Ce distributeur ajoute l'assouplissant liquide au moment voulu du cycle. Pour l'utiliser, procéder comme suit :

1. Verser la quantité voulue de liquid dans le godet, jusqu'au repère de remplissage seulement.
2. Si le liquide n'atteint pas le repère, ajouter de l'eau tiède.

Remarque

- Ne pas arrêter la machine durant le premier essorage. Le distributeur se viderait trop tôt.
- Ne jamais verser d'assouplissant directement sur le linge. Il laisserait des traînées et des taches.
- Utiliser le distributeur pour l'assouplissant liquide uniquement.



Verser l'assouplissant liquide dans le godet et diluer avec de l'eau tiède.

Finger Faucet (admission d'eau) (certains modèles)

Introduction d'eau lorsque le sélecteur est maintenu à la position « On ».





Entretien

Couper l'arrivée d'eau en fermant les robinets, une fois la lessive terminée pour la journée, pour éviter toute possibilité de dégâts dus à une fuite d'eau, aussi improbable soit-elle.

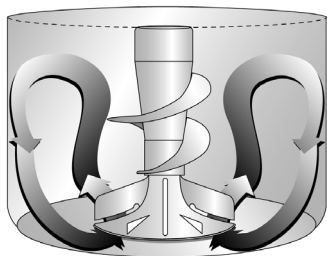
Utiliser un linge doux pour essuyer tout détergent, javellisant ou autre dès qu'il se trouve répandu ou éclaboussé sur la machine.

Nettoyer les éléments suivants tel qu'indiqué :

Tableau de commande : nettoyer avec un linge doux et humide et du nettoyeur pour vitres. Ne pas utiliser de poudres abrasives ni de tampons nettoyeurs.

Carrosserie : nettoyer au savon et à l'eau, puis, si désiré, appliquer de la cire pour appareils électroménagers.

Filtre à charpie : ces filtres sont autonettoyants et n'exigent aucun entretien. Ils se trouvent sous l'agitateur, au fond de la cuve. Pendant l'étape lavage et rinçage du cycle, la charpie se dépose sur les filtres. Celle-ci est automatiquement éliminée au cours de la vidange et de l'essorage.

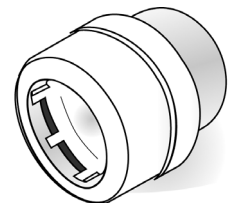


Distributeur d'assouplissant :

Si un nettoyage du distributeur est nécessaire :

1. Retirez le distributeur du haut de l'agitateur.
2. Trempez-le pendant une heure dans l'évier ou dans un récipient dans une solution d'eau chaude et de détergent liquide pour la vaisselle.
3. Mettez les mains sur le dessus et le dessous du distributeur et secouez-le, pour déloger les dépôts des côtés du distributeur.

4. Le rincer à l'eau chaude.
5. Répétez au besoin le processus.
6. Remettre le distributeur sur l'agitateur.



N'utilisez pas de liquide pour la vaisselle à l'intérieur de la laveuse, il y aurait risqué d'un excès de mousse.

Intérieur : Les dépôts dus à l'eau dure peuvent, s'il y a lieu, être éliminés en utilisant un produit nettoyant dont l'étiquette indique qu'il convient à une machine à laver.

Nettoyer périodiquement l'intérieur de la laveuse pour retirer toutes saletés, odeurs ou bactéries qui resteraient dans la laveuse par suite du lavage du linge. Nous recommandons de suivre les étapes suivantes tous les 60 – 120 jours pour nettoyer et rafraîchir l'intérieur de la laveuse. La fréquence à laquelle la laveuse doit être nettoyée et rafraîchie dépend de facteurs tels qu'utilisation, quantité de saleté ou bactéries passant par la laveuse, ou encore l'utilisation d'eau froide.

Nettoyage de l'intérieur :

1. Ajouter une quantité mesurée de javellisant dans le distributeur d'agent de blanchiment, en suivant les instructions données sur le paquet.
2. Ajouter 1/4 tasse de détergent dans la cuve.
3. Faire faire à la laveuse un cycle complet avec de l'eau très chaude.
4. Répéter au besoin le processus.



Remisage de la machine à laver

La machine risque d'être endommagée si l'eau qui se trouve à l'intérieur ainsi que dans les boyaux n'est pas évacuée avant de la remisage. Voici la marche à suivre pour préparer le remisage de la machine :

- Sélectionner un cycle Regular, Light, et ajouter une tasse de javellisant OU de vinaigre blanc par charge complète d'eau, sans ajouter de linge. Faire fonctionner la machine à laver pendant un cycle complet.

- Fermer les robinets d'eau et détacher les tuyaux d'arrivée.
- Régler le sélecteur de cycle sur la partie essorage («spin») et abaisser le boyau de vidange pour éliminer toute eau qui pourrait encore s'y trouver.
- Débrancher la machine et laisser le couvercle ouvert pour que l'air circule dans la cuve.

⚠ ATTENTION

- Ne pas mélanger de javellisant et d' vinaigre pour une même charge de linge. Des vapeurs nocives peuvent se former.

Recherche des pannes

Pour des solutions aux problèmes de lessive (tissus abîmés, résidus, linge emmêlé, par exemple) et des méthodes spéciales d'entretien du linge, voir le livret «*Conseils de blanchissage*» inclus.

<p>Ne se remplit pas</p>	<ul style="list-style-type: none"> • Brancher la machine sur une prise murale sous tension. • Vérifier le fusible ou réenclencher le disjoncteur. • Mettre le sélecteur sur le cycle voulu et tirer dessus pour le mettre en position de marche. • Ouvrir les deux robinets à fond. • Redresser les boyaux d'arrivée. • Débrancher les boyaux et nettoyer les filtres. Les filtres des boyaux pourraient être bouchés.
<p>Ne produit pas d'agitation</p>	<ul style="list-style-type: none"> • Vérifier le fusible ou réenclencher le disjoncteur. • S'assurer que le couvercle est bien fermé. • Mettre le sélecteur sur le cycle voulu et tirer dessus pour le mettre en position de marche. • Fermer le couvercle et tirer sur le sélecteur. Pour des raisons de sécurité, l'agitation et l'essorage ne fonctionnent pas si le couvercle est ouvert. • Les pauses sont normales. Attendre pour voir si la machine à laver va se remettre en marche.
<p>N'essore pas, ne se vidange pas</p>	<ul style="list-style-type: none"> • Vérifier le fusible ou réenclencher le disjoncteur. • Redresser les boyaux. Éliminer les boyaux ne pouvant plus être redressés. Si l'évacuation est bouchée, appeler le service après-vente. • Fermer le couvercle et tirer sur le sélecteur. Pour des raisons de sécurité, l'agitation et l'essorage ne fonctionnent pas si le couvercle est ouvert. • Si la hauteur d'évacuation est de plus de 15 pieds, l'eau ne sera peut-être pas complètement enlevée. • Blocage causé par une quantité trop abondante de mousse. Relaver sans détergent. Utiliser une quantité correcte de détergent à mousse réduite.
<p>Linge mouillé</p>	<ul style="list-style-type: none"> • La charge est déséquilibrée. Redistribuer le linge, fermer le couvercle et tirer sur le sélecteur. Vérifier que la machine est de niveau. S'assurer que le niveau d'eau choisi est suffisant pour la quantité de linge lavée. • Une vitesse d'essorage normal est recommandée pour du linge lourd comme jeans et serviettes, ou si la hauteur d'évacuation est de plus de six pieds.
<p>S'arrête</p>	<ul style="list-style-type: none"> • Brancher la machine sur une prise murale sous tension. • Vérifier le fusible ou réenclencher le disjoncteur. • Mettre le sélecteur sur le cycle voulu et tirer dessus pour le mettre en position de marche. • Fermer le couvercle et tirer sur le sélecteur. Pour des raisons de sécurité, l'agitation et l'essorage ne fonctionnent pas si le couvercle est ouvert. • C'est peut-être simplement une pause ou une phase de trempage du cycle de lavage. Attendre quelques minutes ; il est possible que la machine se remette en marche.
<p>Fuit</p>	<ul style="list-style-type: none"> • Vérifier que les raccords des boyaux sont bien serrés. • S'assurer que l'extrémité du boyau d'évacuation est insérée correctement et bien fixée sur le système d'évacuation. • Trempage prolongé ; faire tremper 30 minutes maximum. • Éviter de trop mettre de linge.
<p>Est bruyante</p>	<ul style="list-style-type: none"> • Vérifier que la machine a été mise de niveau tel qu'indiqué dans le manuel de mise en service. • Les planchers peu solides peuvent produire des vibrations et le déplacement de la machine. • S'assurer que les pieds réglables sont équipés d'embouts en caoutchouc. • Des bruits de fonctionnement varient selon la vitesse de l'agitation.



Recherche des pannes

Se remplit d'eau à une température	<ul style="list-style-type: none">• Ouvrir les deux robinets à fond.• Si la machine est dotée d'un sélecteur de température, vérifier que celui-ci est bien placé sur une température et non pas entre deux réglages.• S'assurer que la température sélectionnée est la bonne.• Lorsque la laveuse se remplit, on peut remarquer que seulement de l'eau froide ou très chaude entrant dans le cuve lorsque des températures de lavage froide ou tiède ont été choisies. Ceci est normal pour cette commande de température automatique étant donné que la laveuse établit la température de l'eau.• Si le réglage « Auto Temperature Control » (contrôle automatique de la température) (certains modèles) a été sélectionné, l'eau froide peut paraître plus chaude par rapport à l'eau du robinet.• S'assurer que les boyaux sont raccordés aux robinets et raccords d'arrivée d'eau voulus. S'assurer que l'alimentation en eau est correctement réglée. Faire passer de l'eau sous forte pression dans les conduites avant de remplir la machine à laver.• Vérifier le chauffe-eau. Il doit être réglé pour assurer une eau chaude à 49° C (120° F) au robinet. Également vérifier la capacité du chauffe-eau et sa rapidité de chauffage une fois qu'il a été vidé.• Déconnecter les boyaux et nettoyer les filtres. Les filtres des boyaux pourraient être bouchés.
Le selecteur passe automatiquement a un réglage audela de «Off» (arrêt)	<ul style="list-style-type: none">• Un Extra Rinse (certains modèles) a été sélectionné.

**Pour toute assistance technique, communiquer avec Maytag ServicesSM,
Service-clients Maytag : au Canada : 1-800-688-2002.**



Garantie et service après-vente

Garantie de la laveuse

Garantie totale d'un an

Pendant un (1) an à partir de la date de l'achat d'origine, toute pièce qui vient à être défectueuse dans des conditions normales d'utilisation ménagère sera réparée ou remplacée gratuitement.

Garantie limitée

Après la première année suivant la date de l'achat d'origine et pendant les périodes énumérées ci-dessous, les pièces indiquées ci-après qui se révéleraient défectueuses dans des conditions normales d'utilisation domestique seront réparées ou remplacées gratuitement pour ce qui est de la pièce elle-même; il revient au client de prendre à sa charge les autres frais, y compris les frais de main-d'œuvre, de kilométrage, de déplacement, de transport et si besoin est, les frais relatifs au diagnostic.

Deuxième année : Toutes les pièces.

De la troisième à la cinquième année : Le moteur. Toutes les commandes à circuits intégrés (si la machine en est équipée).

De la troisième à la dixième année : Toutes les pièces de l'ensemble de transmission.

De la troisième année à vie : Panier intérieur.

Garantie limitée additionnelle contre la rouille à coeur :

Si la caisse extérieure et la porte font l'objet de perforation par la rouille au cours de la première année suivant la date de l'achat d'origine, elle sera réparée ou remplacée gratuitement. Après la première année et jusqu'à la fin de la dixième année, elle sera réparée ou remplacée gratuitement pour ce qui est de la pièce elle-même, tous les autres frais, y compris ceux de main-d'œuvre, de kilométrage, de déplacement, de transport et les frais relatifs au diagnostic (si besoin est), étant à la charge du client.

À noter : Cette garantie totale et la garantie limitée s'appliquent quand la machine se trouve aux États-Unis ou au Canada. Si elle se trouve dans une autre partie du monde, elle n'est couverte que par la garantie limitée, y compris en ce qui concerne les pièces se révélant défectueuses au cours de la première deux années.

Résidents canadiens

Cette garantie ne couvre que les appareils électroménagers mis en service au Canada et homologués par des organismes de vérification appropriés ou certifiés conformes aux directives de l'Association canadienne de normalisation, sauf en ce qui concerne les appareils transférés au Canada à la suite d'un changement de résidence à partir des États-Unis.

Les garanties spécifiques ci-dessus sont les SEULES garanties accordées par le fabricant. Cette garantie vous donne des droits juridiques spécifiques et vous pouvez également bénéficier d'autres droits qui varient d'une province à l'autre.

Ne sont pas couverts par ces deux garanties :

1. Les problèmes et dommages résultant des situations suivantes :
 - a. Installation, livraison ou entretien défectueux.
 - b. Toute réparation, modification, altération ou ajustement non autorisé par le fabricant ou un prestataire de service après-vente agréé.
 - c. Usage inapproprié, abusif, déraisonnable ou accidents.
 - d. Alimentation électrique ou tension incorrectes.
 - e. Réglage inapproprié de toute commande.
2. Les garanties sont annulées si les numéros de série d'origine ont été enlevés, modifiés ou ne peuvent être déterminés facilement.
3. Appareils achetés à des fins commerciales ou industrielles.
4. Les frais de dépannage ou de visite pour :
 - a. Corriger des erreurs d'installation.
 - b. Enseigner au consommateur comment utiliser son appareil correctement.
 - c. Assurer le transport de l'appareil jusqu'à l'entreprise de service après-vente.
5. Dommages indirects ou accessoires supportés par toute personne à la suite d'une quelconque violation de garantie.

Certain états ne permettent pas l'exclusion ou la limitation de responsabilité en ce qui concerne les dommages indirects, et l'exclusion ci-dessus peut ne pas s'appliquer à votre cas.

Pour obtenir les prestations de garantie

Pour localiser une entreprise de service après-vente agréé Maytag dans votre région, contacter le concessionnaire où la machine a été achetée ou appeler Maytag ServicesSM le service-clients Maytag. Si les prestations de garantie obtenues ne vous donnent pas satisfaction, contacter ce service par courrier ou par téléphone :

Maytag ServicesSM
Attn: CAIR[®] Center
P.O. Box 2370
Cleveland, TN 37320-2370
Canada 1-800-688-2002

Remarque

- Quand vous écrivez au sujet d'un problème non résolu, veuillez inclure les renseignements suivants :
 - a. Vos nom, adresse et numéro de téléphone ;
 - b. Les numéros de modèle et de série de votre machine (sur la plaque signalétique sur le bord supérieur couvercle du tableau de commandes) ;
 - c. Les nom et adresse du concessionnaire ainsi que la date d'achat de l'appareil ;
 - d. Une description claire du problème rencontré ;
 - e. Date de la preuve d'achat (bon de caisse).



Lavadora

Guía de uso y cuidado

Tabla de materias



Seguridad 25-26



Sugerencias para la operación 27

Detergente
Colocación de la carga de ropa
Sugerencias adicionales



Usar los controles 28-30

Seleccione el nivel del agua
Seleccione Extra Rinse
Selecciones des temperaturas de lavado y enjuague
Seleccione el tipo de lavado y la velocidad de centrifugado
Señal - fin de ciclo
Seleccione el ciclo
Jale el disco de control para comenzar



Características especiales .. 31

Surtidor de blanqueador
Surtidor de suavizante de telas
Finger Faucet (llave de agua)



Cuidado y limpieza 32



Almacenamiento de la lavadora 32



Localización y solución de averías 33-34



Garantía y servicio 35



Seguridad

Instalador: Deje este manual con el electrodoméstico.

Cliente: Lea y conserve este manual para futuras referencias. Conserve el recibo de compra y/o el cheque cancelado como comprobante de compra.

Número de modelo _____

Número de serie _____

Fecha de compra _____

Si desea obtener más información llame a:

Pour toute question, contacter :

Maytag Customer Assistance

1-800-688-9000 EE.UU.

1-800-688-2002 Canadá

(De lunes a viernes de 8 a.m. a 8 p.m. hora del Este)

Internet: <http://www.maytag.com>

En nuestro esfuerzo continuo para mejorar la calidad y el rendimiento de nuestros productos, puede ser necesario hacer cambios a este electrodoméstico sin necesidad de revisar esta guía.

Si desea obtener más información sobre el servicio, consulte la página 35.

Ahora debe conocer las instrucciones de seguridad

Las advertencias y las instrucciones importantes de seguridad que aparecen en este manual no tienen el propósito de cubrir todas las condiciones posibles que podrían ocurrir. Debe usarse sentido común, precaución y cuidado cuando se instale, se presente mantenimiento o se opere el electrodoméstico.

Siempre comuníquese con el distribuidor, concesionario, agente de servicio o fabricante para los asuntos relacionados con problemas o condiciones que no entienda.

Reconozca los símbolos de seguridad, advertencias, etiquetas

ADVERTENCIA

ADVERTENCIA – Peligros o prácticas no seguras que **PODRIAN** causar lesión personal grave o mortal.

PRECAUCIÓN

PRECAUCIÓN – Peligros o prácticas no seguras que **PODRIAN** causar lesión personal menos grave.

AVERTISSEMENT

Pour réduire les risques d'incendie, d'explosion, d'électrocution ou des blessures lors de l'utilisation de cet appareil, suivre les précautions d'usage, dont les suivantes :

1. Lea todas las instrucciones antes de usar el electrodoméstico.
2. Al igual que con cualquier equipo que utiliza electricidad y que tiene piezas móviles, existen ciertos riesgos potenciales. Para usar este electrodoméstico con seguridad, el usuario debe familiarizarse con las instrucciones de funcionamiento del electrodoméstico y ejercer siempre cuidado cuando lo usa.
3. No instale ni almacene este electrodoméstico donde estará expuesto a las inclemencias del tiempo.
4. Instale y nivele la lavadora sobre un piso firme que pueda soportar el peso.
5. Este electrodoméstico debe ser puesto a tierra de manera apropiada. Nunca enchufe el cordón del electrodoméstico en un tomacorriente que no esté debidamente puesto a tierra y de acuerdo con el código nacional y local. Vea las instrucciones de instalación para la puesta a tierra de este electrodoméstico.
6. Para evitar la posibilidad de incendio o explosión:
 - a. No lave artículos que han sido previamente limpiados, lavados, sumergidos o manchados con gasolina, solventes de limpiar en seco u otras sustancias inflamables o explosivas pues pueden emitir vapores inflamables o producir una explosión. Lave a mano y cuelgue en una cuerda de secar cualquier artículo que contenga estas sustancias.

Cualquier material en el cual se haya usado un agente de limpieza o que esté saturado con líquidos o sólidos inflamables, no debe ser colocado en la lavadora hasta que todos los restos de estos líquidos o sólidos y sus vapores hayan sido eliminados.

Estos artículos incluyen acetona, alcohol desnaturalizado, gasolina, kerosén, algunos líquidos de limpieza domésticos, algunos quitamanchas, agua ras, ceras y quitaceras.
 - b. No agregue gasolina, solventes de lavado en seco ni otras sustancias inflamables o explosivas al agua del lavado. Estas sustancias emiten vapores que pueden encenderse o explotar.
 - c. Bajo ciertas condiciones, se puede producir gas hidrógeno en un sistema de agua caliente que no ha sido usado durante dos semanas o más. **EL GAS HIDROGENO ES EXPLOSIVO.** Si el sistema del agua



Seguridad

caliente no ha sido usado durante tal período, antes de usar una lavadora o una combinación de lavadora y secadora, abra todas las llaves del agua caliente y deje que el agua escurra durante varios minutos. Esto eliminará cualquier gas hidrógeno acumulado. Debido a que el gas es inflamable, no fume ni use una llama abierta durante este período.

7. No coloque la mano dentro del electrodoméstico cuando la tina o el agitador estén en movimiento.
8. No permita que los niños o animales domésticos jueguen dentro, delante o en el electrodoméstico. Es necesaria una supervisión estricta cuando el electrodoméstico es usado cerca de los niños o animales domésticos.
9. No altere los controles.
10. No repare ni reemplace ninguna pieza de la lavadora ni intente efectuar ningún servicio a menos haya sido recomendado específicamente en las instrucciones de reparación por el usuario y que usted las comprenda y tenga habilidad para efectuarlas.
11. Desenchufe el cordón de alimentación antes de intentar reparar su lavadora.
12. El agitador no debe ser sacado. Si el agitador se retira, debe ser colocado nuevamente oprimiéndolo hacia abajo completamente y apretando el tornillo de bloqueo antes de que la lavadora sea usada.
13. Guarde los detergentes y otros materiales en un lugar fresco y seco donde los niños no puedan alcanzarlos.
14. No lave ni seque artículos que están sucios con aceite vegetal o de cocinar. Estos artículos pueden contener un poco de aceite después del lavado. Debido a esto, la tela puede ahumarse o encenderse por sí sola.
15. No use blanqueador de cloro ni amoníaco o ácidos (tales como vinagre o desoxidantes) en el mismo lavado. Se pueden formar vapores peligrosos.
16. No lave en la lavadora materiales de fibra de vidrio. Se pueden pegar partículas en las ropas que se vayan a lavar a continuación y causar irritación a la piel.
17. Antes de que la lavadora sea puesta fuera de servicio o descartada, retire la puerta del compartimiento del lavado.
18. Las mangueras de admisión del agua están sujetas a daño y deterioro con el pasar del tiempo. Verifique periódicamente las mangueras para comprobar que no tengan protuberancias, torceduras, cortes, desgaste o escapes y reemplácelas cada cinco años.

CONSERVE ESTAS INSTRUCCIONES



Sugerencias para la operación

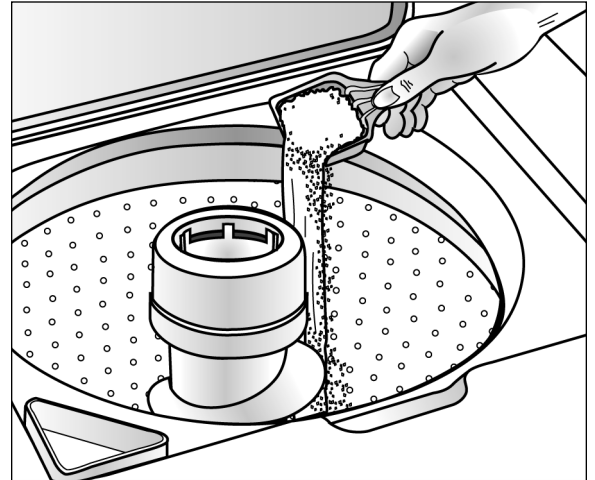
Detergente

- Utilice detergente líquido o granular para lavar ropa. **Para obtener los mejores resultados, asegúrese de añadir el detergente a la lavadora ANTES de colocar la carga de ropa, y de que el agua de lavado tenga una temperatura mayor que 15.5 °C (60 °F).**

- Use la cantidad de detergente adecuada para el tamaño de la carga, el grado de suciedad y las condiciones del agua. Utilice más detergente si el agua es dura y las cargas están muy sucias.

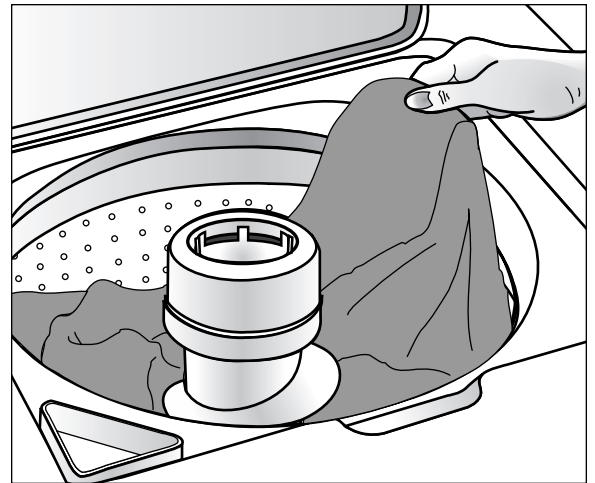
Si el agua es suave o la carga está ligeramente sucia, utilice menos detergente. (Consulte las instrucciones del fabricante.)

- Quite cualquier cantidad de detergente que caiga en la lavadora.



Colocación de la carga de ropa

- Coloque en la tina de la lavadora la ropa seca, desdoblada y de manera holgada, hasta la fila superior de orificios en el caso de una carga completa.
- No envuelva alrededor del agitador las prendas grandes, como por ejemplo las sábanas.
- Mezcle prendas pequeñas y grandes para obtener la mejor circulación. Lave por separado los artículos voluminosos como por ejemplo cobijas o cobertores.
- Cuando lave artículos de planchado permanente o de hechura delicada, lanas lavables o artículos de tela de punto, nunca use menos del ajuste de agua MEDIUM (MEDIANO). Esto reducirá al máximo o minimizará el encogimiento, arrugado y los tirones de las costuras.
- Para obtener mejores resultados, ponga el detergente en la tina de lavado antes de añadir la carga.
- Cierre cuidadosamente la tapa para evitar golpearla.



Sugerencias adicionales

- Está posible por la ropá llegar a ser uniformemente distribuida durante el centrifugado. Si esto sucede, oprima la perilla de control, abra la tapa, vuelva a distribuir la ropa, cierre la tapa y tire hacia afuera la perilla de control. El centrifugado continuará desde el punto en que fue interrumpido.
- La lavadora se detendrá brevemente a través de cada ciclo. Estas pausas son normales.
- Esta lavadora ha sido diseñada de modo que no agitará ni centrifugará cuando la tapa esté abierta. Sin embargo, se seguirá llenando con la tapa abierta a fin de que haya agua disponible para pretratar las manchas o diluir el suavizador de tela.

- Si usted abre la tapa durante un ciclo, la lavadora se detendrá. Cuando se cierre la tapa y la perilla de control está hacia afuera, la lavadora continuará el ciclo en el punto en que fue interrumpido.

Consulte el folleto Sugerencias para el lavado de la ropa que se adjunta si desea ver información detallada sobre la separación de la ropa, el pretratamiento de manchas, etc.



Usar los controles

PASO 1

Seleccione el nivel del agua

Determine el ajuste de acuerdo con el tamaño de la carga de ropa.

En modelos selectos, el control infinito le permite seleccionar un ajuste específico o en cualquier parte entre los ajustes.

Es posible que sea necesario, como por ejemplo en el caso de telas voluminosas, ajustar el nivel del agua después de que comienza la agitación. Para ajustar el nivel del agua, gire el control hasta **reset** (reajustar) y luego vuélvalo a colocar en el ajuste deseado.

AJUSTE DEL NIVEL DEL AGUA	TAMAÑO DE LA CARGA
Mini (mini) (modelos selectos)	1/4 de la capacidad
Small (pequeño)	1/4 – 1/3 de la capacidad
Medium (mediano)	1/3 – 1/2 de la capacidad
Large (grande)	1/2 – 3/4 de la capacidad
Oversize (extragrande)	3/4 de la capacidad – llena

PASO 2

Seleccione Extra Rinse (modelos selectos) (enjuague adicional)

Proporciona un enjuague adicional al final del ciclo para eliminar mejor los residuos de aditivos de lavado, espuma, perfumes, etc.

PASO 3

Selecciones des temperaturas de lavado y enjuague

La lavadora le permite seleccionar entre agua caliente, tibia o fría para lavar, y agua fría o tibia (modelos selectos) para enjuagar.

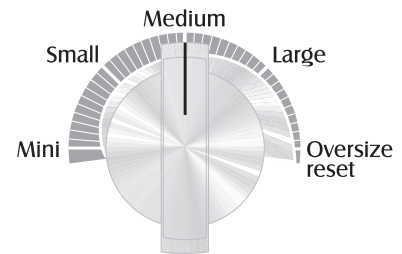
Automatic Temperature Control [(el control automático de la temperatura)] (modelos selectos) le ofrece la temperatura de agua de lavado óptima para limpieza. Para ahorrar energía, esta lavadora regulará las temperaturas del agua mezclando agua caliente con agua fría a fin de lograr la temperatura apropiada del agua.

Las características de control y los estilos varían según el modelo.

Nota

- Los artículos deben moverse libremente para obtener los mejores resultados.

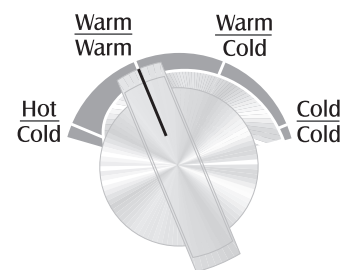
Infinite Water Level



Extra Rinse



Wash/Rinse Temp



cont.

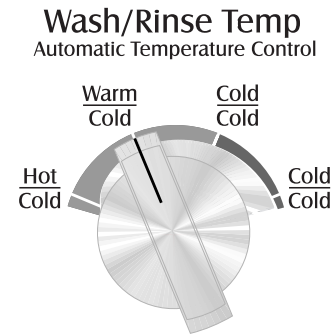


Usar los controles

PASO 3 (cont.)

TEMPS DE LAVADO/ENJUAGUE	TIPO DE CARGA
Hot/Cold (caliente/fría)	Ropa blanca y ropa de colores sólidos muy sucia
Warm/Warm (tibia/tibia)	Ropa de color moderadamente sucia
Warm/Cold (tibia/fría)	Ropa de color moderadamente sucia; la mayoría de la ropa inarrugable
Cold/Cold (fría/fría)	Ropa de colores brillantes, ligeramente sucia; lanas lavables
Estos ajustes tienen control automático de la temperatura:	
ATC Hot/Cold, ATC Warm/Cold (Control automático de temperatura caliente/fría, tibia/fría)	Ahorra energía agregando agua fría al agua caliente del calentador. Proporciona limpieza óptima a temperaturas más bajas.
ATC Cold/Cold (Control automático de temperatura fría/fría)	Puede agregar agua caliente al agua fría que va entrando a medida que la lavadora se llena. Esto asegura que el agua estará lo suficientemente tibia para activar el detergente de forma apropiada.

Las características de control y los estilos varían según el modelo.



Nota

- El detergente no se disuelve bien en el agua de lavado con temperatura menor que 15.5° C (60° F), y por lo tanto no limpiará adecuadamente la ropa.

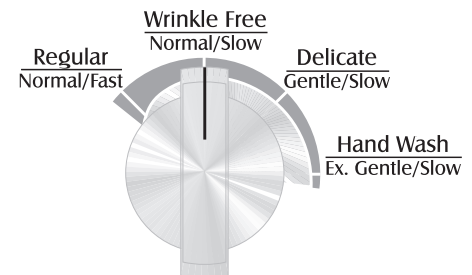
PASO 4

Seleccione el tipo de lavado y la velocidad de centrifugado (modelos selectos)

La lavadora ofrece varias combinaciones de tipo de lavado y velocidad de centrifugado de las cuales puede seleccionar.

VITESSES DE LAVAGE/ ESSORAGE	TYPE DE CHARGE
Regular Normal/Fast regular normal/rápido	Telas resistentes que necesitan la máxima extracción de agua como vaqueros, toallas, ropa de cama
Wrinkle Free Normal/Slow planchado permanente normal/lento	Telas resistentes que necesitan una menor velocidad de centrifugado debido a que se arrugan tales como camisas de vestir, pantalones de vestir
Delicate Gentle/Slow ropa delicada suave/lento	Telas delicadas que necesitan una menor velocidad de centrifugado debido a la construcción de la ropa
Hand Wash Ex. Gentle/Slow lavado a mano muy suave/lento	Agitación intermitente lenta y remojo para lavar cuidadosamente los artículos más delicados

Wash/Spin Speed



Modelo SAV205D

- Las velocidades 'wash/spin' (lavado/centrifugado) son programadas automáticamente para asegurar que cada carga sea agitada y centrifugada de manera apropiada. Los ciclos **'REGULAR'** (regulares) proporcionarán una velocidad normal rápido de agitación/centrifugado. **'WRINKLE FREE FABRICS'** (tela inarrugables) proporcionará una velocidad normal/lento de agitación/centrifugado junto con un ejuague rociador de enfriamiento. El ciclo **'DELICATES'** (telas delicadas) proporcionará un lavado suave y una velocidad final de centrifugado lento.



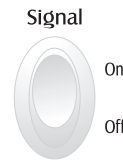
Usar los controles

PASO 5

Señal – fin de ciclo

(modelos selectos)

El avisador de fin de ciclo sonará una vez cuando se ha completado el ciclo.



PASO 6

Seleccione el ciclo

Para seleccionar un ciclo, presione el disco de control y hágalo girar hacia hasta que el indicador apunte el nivel del suelo necesitó de lavado que desea.

Handwash (lavado a mano)

(modelos selectos)

Remojo y agitacion intermitente lenta para telas delicadas que necesitan una menor velocidad de centrifugado debido a la construcción de la ropa.

LIGHT (no muy sucio):

aproximadamente 9 minutos de agitacion y remojo.

EXTRA LIGHT (suciedad muy pequeña):

aproximadamente 3 minutos de agitacion y remojo.



Delicates Cycle (ropa delicada)

Para artículos que requieren lavado especial. Los ciclos disponible son:

NORMAL (normal):

aproximadamente 9 minutos de tiempo de lavado.

LIGHT (no muy sucio):

aproximadamente 6 minutos de tiempo de lavado.

PASO 7

Jale el disco de control para comenzar

Puede detener el funcionamiento de la lavadora en cualquier momento presionando el disco de control. Por lo tanto, es posible realizar un remojo sin agitacion o acortar, evitar o repetir cualquier parte de un ciclo. El disco de control debe estar PRESIONADO (en la posición off, apagado) cuando cambie el ajuste.

Regular (regular)

Se usa para telas comunes, fuertes. Los ciclos disponibles son:

PREWASH (prelavado) (modelos selectos): agrega aproximadamente 6 minutos de tiempo de lavado.

EXTRA HEAVY (muy sucio): aproximadamente 18 minutos de tiempo de lavado.

HEAVY (sucio): aproximadamente 15 minutos de tiempo de lavado.

NORMAL (normal): aproximadamente 12 minutos de tiempo de lavado.

LIGHT (no muy sucio): aproximadamente 9 minutos de tiempo de lavado.

Soak Only (remojo solamente)

(modelos selectos)

Esta opción ofrece agitacion y luego remojo. **Evite el remojo prolongado – remojo durante 30 minutos o menos.** La perilla de control debe ser avanzada manualmente a un ajuste de centrifugado para centrifugar y desaguar el agua.

Wrinkle Free Fabrics (telas inarrugables)

Para telas resistentes que necesitan una menor velocidad de centrifugado debido a que se arrugan tales como camisas de vestir, pantalones de vestir.

NORMAL (normal):

aproximadamente 12 minutos de tiempo de lavado.

LIGHT (no muy sucio):

aproximadamente 9 minutos de tiempo de lavado.

EXTRA LIGHT (suciedad muy pequeña):

aproximadamente 6 minutos de tiempo de lavado.



Características especiales

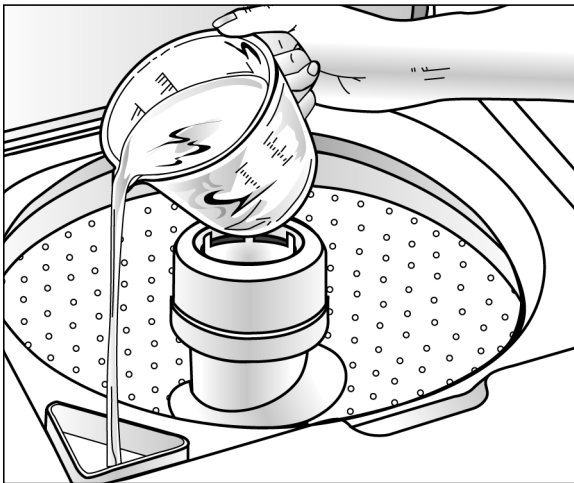
Surtidor de blanqueador

El surtidor diluye automáticamente el blanqueador de cloro líquido antes de que éste entre en contacto con la carga de ropa. Siga estos pasos para usar el surtidor:

1. Mida cuidadosamente el blanqueador de cloro líquido, siguiendo las instrucciones del envase.
2. Añada el blanqueador al surtidor antes de colocar la carga de ropa. Evite salpicar o llenar en exceso el surtidor.

Nota

- Nunca vierta blanqueador de cloro líquido no diluido directamente sobre la carga de ropa ni en la tina de la lavadora. Es una sustancia química muy fuerte y si no se usa adecuadamente puede dañar las telas; por ejemplo, puede romperlas o decolorarlas.
- Si prefiere utilizar un blanqueador sin cloro que no decolore, viértalo en la tina de lavado junto con el detergente. No vierta blanqueadores sin cloro en el surtidor de blanqueador.



Vierta el blanqueador de cloro líquido en el surtidor de blanqueador.

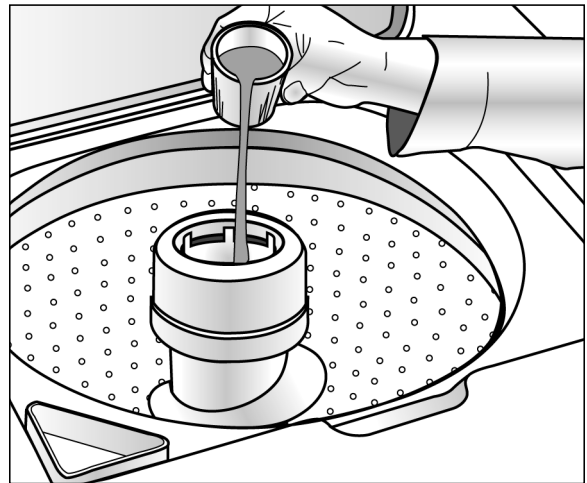
Surtidor de suavizante de telas

Este surtidor automáticamente descarga el suavizante líquido de telas en el momento propicio durante el ciclo:

1. Vierta una cantidad medida del líquido deseado en la parte superior del surtidor, solamente hasta la línea de llenado.
2. Si el líquido no llega hasta esta línea, añada agua tibia.

Nota

- No pare la lavadora durante la primera exprimida. Esto causará que el surtidor se descargue antes de tiempo.
- Nunca vierta suavizante de telas directamente en la carga. Dejará marcas y manchas.
- Use el surtidor sólo para suavizantes líquidos de tela.



Vacíe el suavizador de telas líquido en una taza y diluya con agua tibia.

Finger Faucet (llave de agua) (modelos selectos)

Ofrece un chorro de agua cuando el interruptor está en la posición "On".





Cuidado y limpieza

Cierre las llaves del agua después de terminar el lavado del día. Esto cortará el suministro de agua a la lavadora y evitará la improbable posibilidad de producir daño a causa de escape de agua.

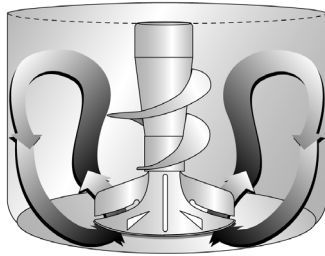
Use un paño suave para limpiar todo el detergente, blanqueador u otros derrames que puedan haber ocurrido.

Limpie lo siguiente según se recomienda:

Panel de control: Limpie con un paño suave y húmedo y con limpiador de vidrio. No use polvos abrasivos o esponjas de limpiar.

Gabinete: Lave con agua y jabón y agregue una cera para electrodomésticos, si se desea.

Filtro de la pelusas: Este es un filtro autolimpiante y no requiere mantenimiento. El filtro está ubicado bajo el agitador en el fondo de la tina. Durante el lavado y la porción del enjuague del ciclo, las pelusas se acumulan en el filtro. Luego durante el ciclo de centrifugado y desagüe el filtro se limpia automáticamente.

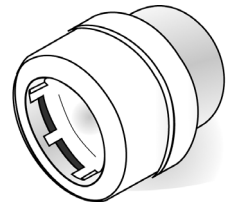


Dispensador de suavizante de telas:

Si es necesario limpiar el dispensador:

1. Retire el dispensador del agitador.
2. Remoje en el fregadero o en un recipiente en agua caliente y detergente de lavar platos durante una hora.
3. Coloque las manos sobre la parte superior e inferior del dispensador y agítelo para sacar la suciedad de los lados del dispensador.

4. Enjuague con agua caliente.
5. Repita el proceso si es necesario.
6. Reinstale el dispensador en el agitador.



No use detergente líquido de lavar platos dentro de la lavadora pues se puede formar mucha espuma.

Interior: Los depósitos del agua dura pueden ser quitados, si es necesario, usando un limpiador recomendado que pueda ser usado en lavadoras.

El interior de la lavadora debe ser limpiado periódicamente a fin de sacar cualquier suciedad, tierra, olor o residuos de bacterias que puedan quedar en la lavadora después que se lava la ropa. Recomendamos que se proceda de la siguiente manera cada 60 a 120 días para limpiar y refrescar el interior de la lavadora. La frecuencia de la limpieza de la lavadora depende de tales factores como el uso, la cantidad de suciedad, tierra o bacterias que pasen por su lavadora, o el uso de agua fría.

Para limpiar y refrescar el interior de la lavadora:

1. Agregue una cantidad medida de blanqueador de cloro en el distribuidor del blanqueador, siguiendo las instrucciones del envase.
2. Agregue 1/4 taza de detergente en la tina de la lavadora.
3. Haga funcionar la lavadora durante un ciclo completo usando agua caliente.
4. Repita el proceso si es necesario.



Almacenamiento de la lavadora

A fin de evitar daño a la lavadora, es necesario sacar completamente el agua que queda en la manguera y en los componentes internos antes del almacenamiento. Prepare la lavadora para el almacenamiento como sigue:

- Seleccione 'Regular' (ciclo Regular), LIGHT (no muy sucio) y agregue una taza de blanqueador de cloro O vinagre blanco en la tina llena de agua sin ropa. Haga funcionar la lavadora a través de un ciclo completo.

- Cierre las llaves del agua y desconecte las mangueras de entrada del agua.
- Mueva la perilla de control de ciclo a 'Spin' (Centrifugado) y baje la manguera de desagüe para eliminar cualquier agua que puede haber quedado dentro de ella.
- Desenchufe la lavadora del suministro eléctrico y deje la lavadora con la tapa abierta para que el aire circule dentro de la tina.

⚠ PRECAUCIÓN

- No mezcle el blanqueador y el vinagre en el mismo lavado. Se pueden formar vapores peligrosos.



Localización y solución de averías

Para las soluciones de problemas de lavado (es decir, daño de las telas, residuos, ropa enredada) y procedimientos especiales para cuidado de la ropa, vea el folleto adjunto “Sugerencias para el Lavado”.

La lavadora no se llena	<ul style="list-style-type: none">• Enchufe el cordón en un tomacorriente eléctrico con corriente.• Verifique el fusible o reponga el disyuntor.• Gire la perilla de control al ciclo apropiado y tire de la perilla hacia afuera para poner en marcha la lavadora.• Abra ambas llaves completamente.• Enderece las mangueras de admisión.• Desconecte las mangueras y lave las mallas de los filtros. Los filtros de malla de la manguera pueden estar obstruidos.
La lavadora no agita	<ul style="list-style-type: none">• Verifique el fusible o reponga el disyuntor.• Asegúrese de que la tapa esté bien cerrada.• Gire la perilla de control al ciclo apropiado y tire de la perilla hacia afuera para poner en marcha la lavadora.• Cierre la tapa y tire la perilla hacia afuera para poner en marcha la lavadora. Para su seguridad, la lavadora no agitará ni centrifugará a menos que la tapa esté cerrada.• Las pausas son normales. Espere y vea si la lavadora vuelve a arrancar.
La lavadora no centrifuga ni desagua	<ul style="list-style-type: none">• Verifique el fusible o reponga el disyuntor.• Enderece las mangueras de desagüe. Elimine las mangueras torcidas. Si hay una restricción del desagüe, llame a reparaciones.• Cierre la tapa y tire de la perilla hacia afuera para poner en marcha la lavadora. Para su seguridad, la lavadora no agitará ni centrifugará a menos que la tapa esté cerrada.• Si la altura del desagüe es más de 15 pies, puede que no salga toda el agua.• Bloqueo por espuma – causado por exceso de espuma. Vuelva a lavar sin detergente. Use la cantidad correcta de un detergente que forme poca espuma.
La ropa queda mojada	<ul style="list-style-type: none">• La ropa no está distribuida uniformemente. Vuelva a distribuir la ropa, cierre la tapa y tire de la perilla hacia afuera. Verifique si la lavadora está nivelada. Asegúrese de que el nivel del agua sea aceptable para el tamaño de la carga de ropa.• Para las cargas pesadas, tales como vaqueros o toallas, se recomienda la velocidad de centrifugado normal o, si la altura del desagüe es más de seis pies.
La lavadora se detiene	<ul style="list-style-type: none">• Enchufe el cordón en un tomacorriente eléctrico con corriente.• Verifique el fusible o reponga el disyuntor.• Gire la perilla de control al ciclo apropiado y tire de la perilla hacia afuera para poner en marcha la lavadora. Si está equipada con botones, asegúrese de que han sido completamente oprimidos.• Cierre la tapa y tire de la perilla hacia afuera para poner en marcha la lavadora. Para su seguridad, la lavadora no agitará ni centrifugará a menos que la tapa esté cerrada.• Puede que sea una pausa del ciclo o el período de remojo. Espere brevemente y puede que continúe funcionando.
Hay escape de agua	<ul style="list-style-type: none">• Asegúrese de que las conexiones de la manguera estén herméticas.• Asegúrese de que el extremo de la manguera de desagüe esté correctamente insertado y asegurado en el receptáculo de desagüe.• Evite el remojo prolongado – remoje durante 30 minutos o menos.• Evite cargar demasiado la lavadora.



Localización y solución de averías

La lavadora tiene ruido	<ul style="list-style-type: none">• Asegúrese de que lavadora esté debidamente nivelada como se describe en el manual de instalación.• Los pisos débiles pueden causar vibración y movimiento.• Asegúrese que se hayan instalado los protectores de goma en los tornillos niveladores.• Los sonidos del funcionamiento variarán de acuerdo con la velocidad del centrifugado.
La lavadora se llena pero con temperatura incorrecta del agua	<ul style="list-style-type: none">• Abra ambas llaves completamente.• Si está equipada con una perilla selectora de temperatura, asegúrese de que esté colocada exactamente en el ajuste de temperatura y no entre dos ajustes.• Asegúrese de que la selección de temperatura sea correcta.• A medida que la lavadora se está llenando con agua, usted observará que entrando en la tina pasa agua apenas caliente y/o apenas fría cuando se ha seleccionado temperatura de lavado fría o caliente. Esto es una función normal del control automático de la temperatura ya que la lavadora establece la temperatura del agua.• Si se selecciona Auto Temperature Control (Control de Temperatura Automática) (modelos selectos), el agua fría del grifo podría sentirse más tibia que fría.• Asegúrese de que las mangueras estén conectadas a las llaves correctas y las conexiones de admisión. Asegúrese de que el suministro del agua esté regulado correctamente. Limpie la tubería del agua antes de llenar la lavadora. Deje correr agua dentro de la tubería del agua antes de llenar la lavadora.• Verifique el calefactor del agua. Debe estar ajustado para entregar un mínimo de agua caliente a 120°F (49°C) en la llave. También verifique la capacidad del calefactor del agua y la velocidad de recuperación.• Desconecte las mangueras y limpie las mallas de los filtros. Los filtros de malla de las mangueras pueden estar obstruidos.
La perilla de control de ciclo avanza hasta "OFF" (apagado)	<ul style="list-style-type: none">• La opción Extra Rinse (modelos selectos) está seleccionada.

Si desea recibir más asistencia comuníquese con Maytag ServicesSM, Departamento de Asistencia al Cliente de Maytag: 1-800-688-9900 en EE.UU.; o 1-800-688-2002 en Canadá.



Garantía y servicio

Garantía de la lavadora

Un año de garantía en partes y mano de obra

Durante un (1) año a partir de la fecha original de la compra, cualquier parte que falle durante el uso normal en su hogar se reparará o reemplazará sin costo alguno.

Garantía limitada

Después del primer año a partir de la fecha de compra original al menudeo, o durante los períodos que se indican a continuación, las piezas designadas que fallen en el uso de cargas, incluyendo mano de obra, millaje/kilometraje, transporte, costos de viaje y costo del diagnóstico, si es necesario.

Segundo año: Todas las piezas.

Del tercero al quinto año: El motor impulsor. Todas las piezas de los controles de estado sólidos (si así está equipada).

Del tercero al décimo año: Todas las piezas del conjunto de la transmisión.

Desde el tercer año hasta el fin de la vida útil: La tina interior de lavar.

Garantía limitada adicional contra oxidación:

Si el gabinete exterior, incluyendo la puerta, se oxidan durante el primer año a partir de la fecha de compra al por menor, se repararán o reemplazarán gratuitamente. Después del primer año y hasta el décimo año, la reparación y el reemplazo serán millaje/kilometraje, transporte, costos de viaje y costo del diagnóstico, si es necesario.

Se ruega nota: La garantía total y la garantía limitada aplican cuando el electrodoméstico se encuentre en Estados Unidos o en Canadá. Los electrodomésticos que se encuentren en otro lugar solamente están cubiertos por la garantía limitada, inclusive las piezas que fallen durante el primer dos años.

Residentes de Canadá

Las garantías antes mencionadas sólo cubren los electrodomésticos instalados en Canadá certificados o listados por las agencias de pruebas apropiadas para cumplir con el National Standard of Canada (Norma Nacional de Canadá), a menos que el electrodoméstico se lleve a Canadá debido a un cambio de residencia desde los Estados Unidos hacia Canadá.

Las garantías específicas expresadas anteriormente son las ÚNICAS garantías que ofrece el fabricante. Estas garantías le otorgan derechos legales específicos y puede también tener otros derechos los cuales varían entre estados.

Guía de uso y cuidado, los manuales de servicio y los catálogos de piezas están disponibles en el Departamento de Asistencia al Cliente de Maytag ServicesSM.

Estas garantías no cubren lo siguiente:

1. Condiciones y daños resultantes de cualquiera de las siguientes condiciones:
 - a. Instalación, entrega o mantenimiento inadecuados.
 - b. Cualquier reparación, modificación, alteración o ajuste no autorizado por el fabricante o por un técnico de servicio autorizado.
 - c. Uso inadecuado, abuso, accidentes o uso irrazonable.
 - d. Corriente, voltaje o suministro eléctrico incorrecto.
 - e. Ajuste incorrecto de uno de los controles.
2. Las garantías se anularán si los números de serie originales se quitan, alteran o no se pueden determinar fácilmente.
3. Productos comprados para uso comercial o industrial.
4. El costo del servicio o de las llamadas de servicio para:
 - a. Corregir errores de instalación.
 - b. Instruir al usuario sobre el uso correcto del producto.
 - c. Transportar el electrodoméstico al centro de servicio.
5. Daños resultantes o incidentales sufridos por una persona como resultado de la violación de alguna de estas garantías.

Algunos estados no permiten la exclusión ni la limitación de daños resultantes ni incidentales, de manera que es posible que no aplique la exclusión anterior.

Para obtener el servicio de garantía

Para ubicar un centro de servicio autorizado en su área, comuníquese con el distribuidor con el cual compró el electrodoméstico; o llame al Departamento de Asistencia al Cliente de Maytag ServicesSM. Si no recibe un servicio de garantía satisfactorio, por favor llame o escriba a:

Maytag ServicesSM
Attn: CAIR[®] Center
P.O. Box 2370
Cleveland, TN 37320-2370
1-800-688-9900 EE.UU.
1-800-688-2002 CANADÁ

Nota

- Cuando se comunique con el Departamento de Asistencia al Cliente de Maytag ServicesSM con relación a un problema de servicio, por favor incluya la siguiente información:
 - a. Su nombre, domicilio y número de teléfono;
 - b. El número de modelo y el número de serie (se encuentran en la parte posterior central del panel de control) de su electrodoméstico;
 - c. El nombre y la dirección de su distribuidor y la fecha de compra del electrodoméstico;
 - d. Una descripción clara del problema que experimenta;
 - e. Un comprobante de compra.